



SURECAM

INSTALLATION GUIDE

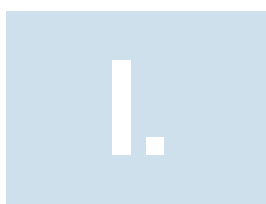
SC145 | SC245

www.surecam.com/uk

CONTENTS

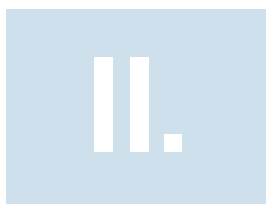
TABLE OF CONTENTS

NOTE: LED Indicators Section intentionally left blank



WHAT'S IN THE BOX

PAGE 3



PRODUCT OVERVIEW

PAGE 4



DEVICE INSTALLATION

PAGE 5



ADDITIONAL INFORMATION

PAGE 9

WHAT'S IN THE BOX

- Fleet cam with front & interior-facing cameras*

Warning: Do not attempt to adjust the camera lens viewing angle without loosening the corresponding locking screw first.

- Rear mounting plate with adhesive tape
- Top cover
- Type II: Main Cable

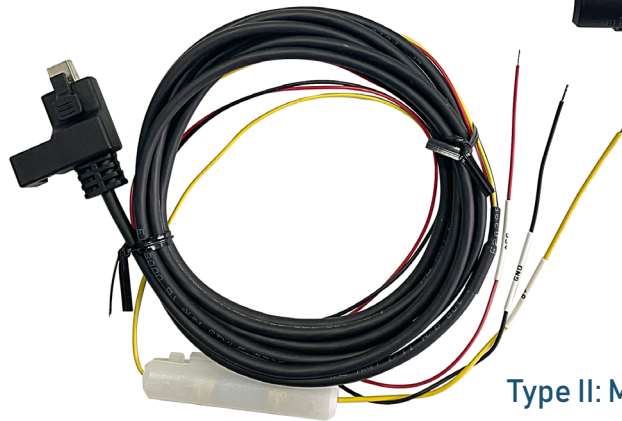
Rear mounting plate



SC245 Camera



Top cover

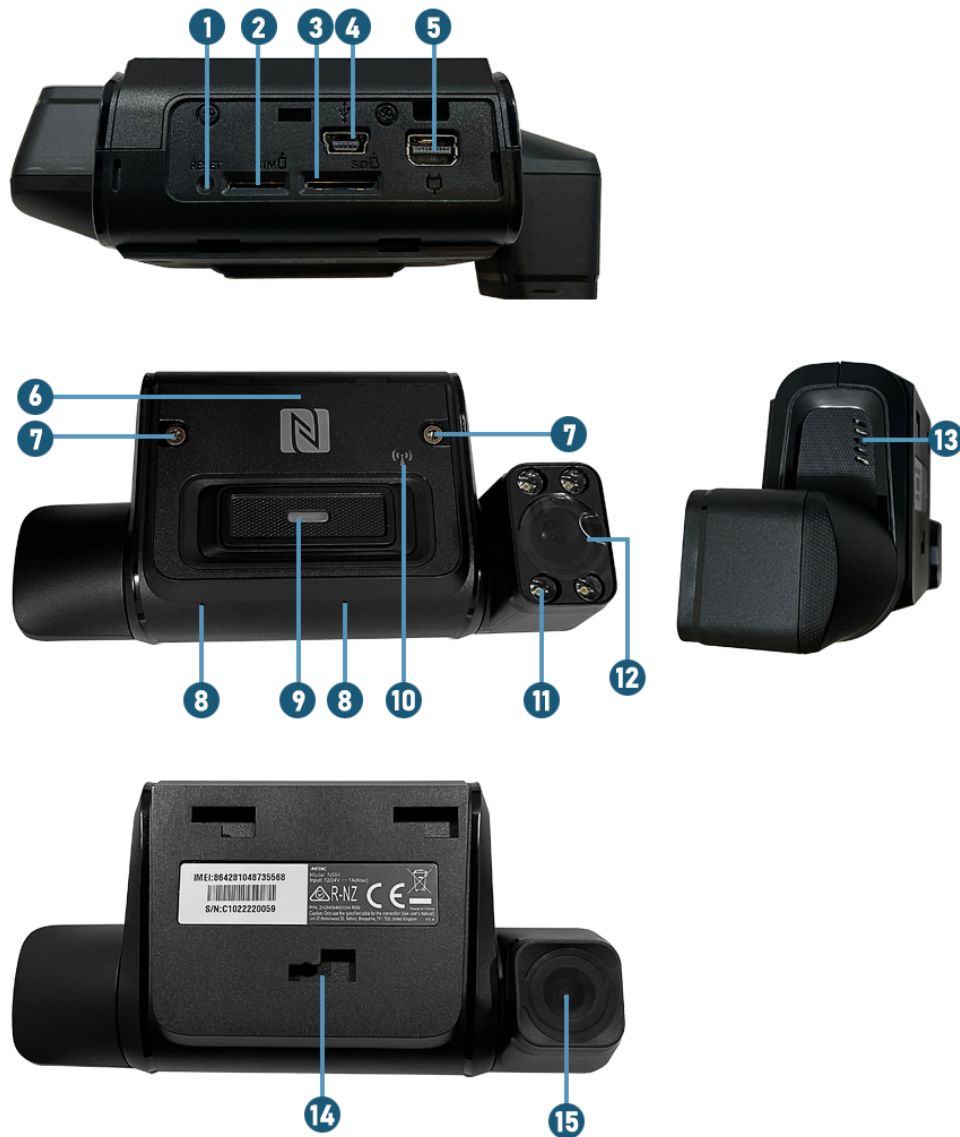


Type II: Main cable

* All fleet cam images shown in this document are based on the SC245 model. Please note that the SC145 model does not include an interior-facing camera.

Camera	SC145	SC245
Front-facing Camera	✓	✓
Interior-facing Camera	✗	✓

PRODUCT OVERVIEW



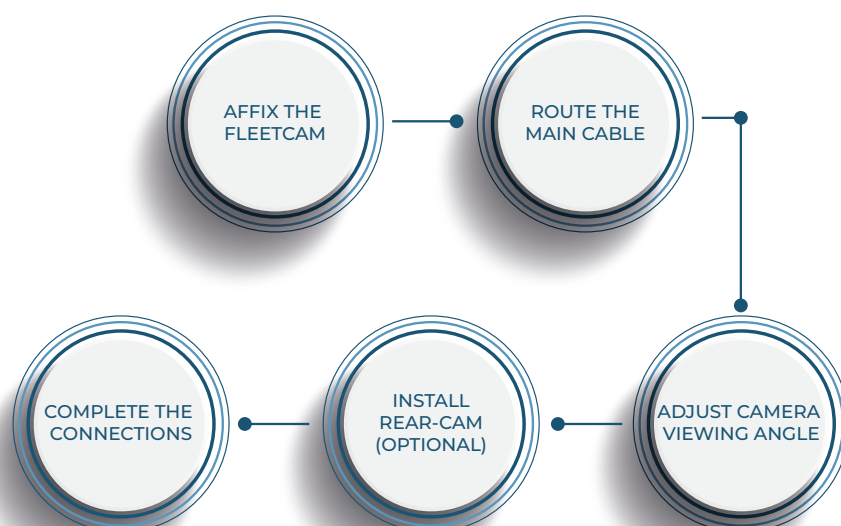
- | | | |
|---|-----------------------------------|---|
| 1 RESET BUTTON | 2 SIM CARD SLOT | 3 MICRO SD SLOT |
| 4 REAR CAMERA CONNECTOR | 5 CHARGING/DATA PORT | 6 NFC SENSOR |
| 7 CAMERA LOCKING SCREW X2 | 8 MICROPHONE X2 | 9 EMERGENCY RECORDING INDICATOR/BUTTON |
| 10 WIFI/MOBILE BROADBAND INDICATOR | 11 INFRARED ILLUMINATOR X4 | 12 INTERIOR-FACING CAMERA |
| 13 SPEAKER | 14 MOUNTING SLOT X3 | 15 FRONT-FACING CAMERA |

DEVICE INSTALLATION



- This device has been tested and certified to meet the applicable limits for Radio Frequency (RF) exposure. This equipment should be installed and operated with a minimum distance of 20cm between the radiator & your body.
- For your own safety, do not operate the controls of the product while driving. Using this product does not exempt the driver from taking full responsibility for his/her driving behavior, which includes observing all traffic rules and safety regulations.
- Make sure the fleet cam is positioned in a way that does not obstruct the driver's view or airbag deployment.
- Make sure that no object is blocking the camera lens and no reflective material appears near the lens. Please keep the lens clean.
- Video quality may be degraded if the vehicle's windshield is tinted.
- If the car's windshield is tinted with a reflective coating, its surface may be athermic and impact GPS reception. In this instance, please mount the device in a "clear area".
- The device will automatically calibrate its G-sensor during start-up. Always turn on the device after it is mounted in place to avoid G-sensor malfunction.

INSTALLATION PROCEDURE



DEVICE INSTALLATION

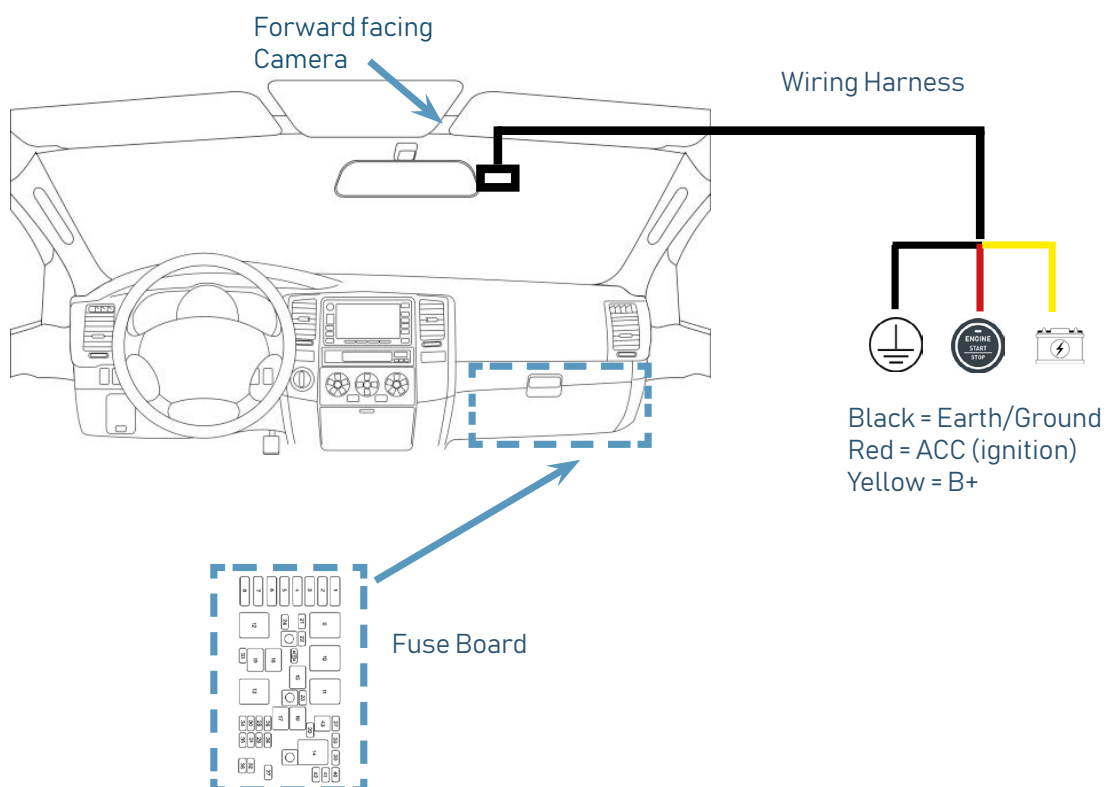
B. ROUTE THE MAIN CABLE

Route the main cable inside the vehicle, leaving the main connector exposed at where the fleet cam is to be installed on the windshield and the other end going forward the vehicle's power source.

TYPE II CABLE KIT:

- Use a multimeter to locate a fuse that supplies power even when the vehicle is turned off (such as the emergency hazard lights and interior/door lights) and connect the yellow wire (B+) to the fuse.
- Use the multimeter to locate a fuse that does not supply power when the vehicle is turned off (such as the indicator lights) and connect the red wire (ACC) to the fuse.
- The black wire (GND) must be connected to the vehicle's ground point. This product may not work properly if it is not grounded.

ALL IMAGES SHOWN ARE FOR ILLUSTRATIVE PURPOSES ONLY AND THE DRIVER FACING CAMERA IS ONLY AVAILABLE WITH SURECAM SC245



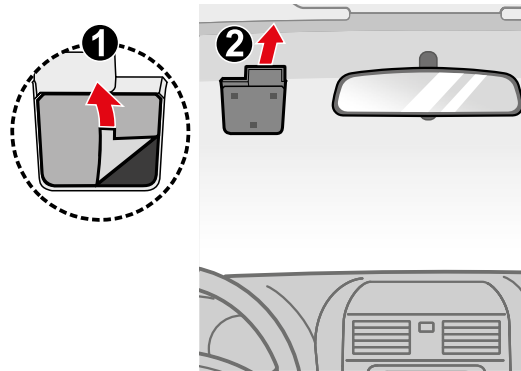
DEVICE INSTALLATION

C. AFFIX THE FLEET CAM

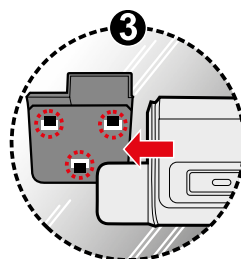
NOTE:

- Cleaning the windshield with rubbing alcohol before mounting the fleet cam is highly recommended.
- The double-sided adhesive tape can be replaced if it is no longer adhering to the windshield properly.
- The fleet cam should be placed near the rear-view mirror to ensure the highest video quality, but never position the device where the driver's field of vision is blocked.

1. Peel the film off from the back of the rear plate and affix the rear plate securely onto the windshield.

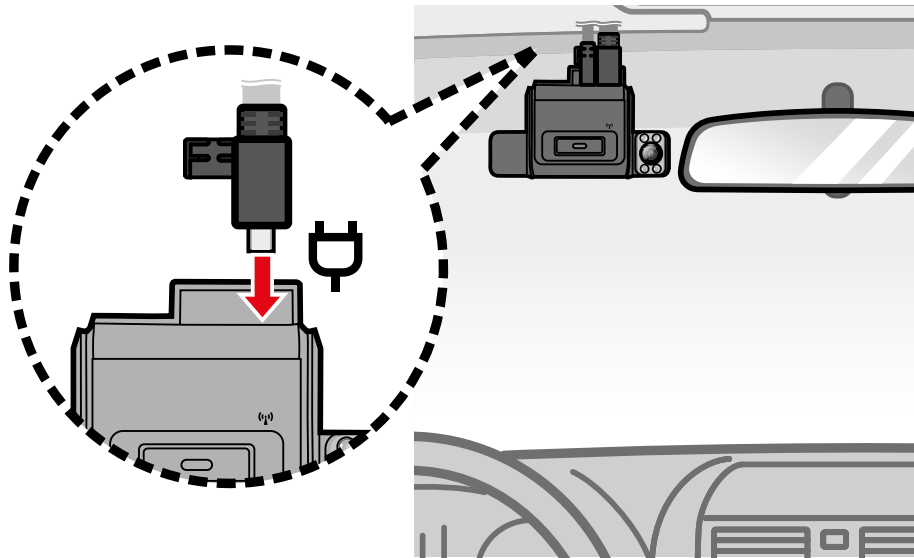


2. Attach the fleet cam to the rear plate by matching the positions of the three mounting holes on the back of the camera with the hooks on the rear plate. Slide the fleet cam to the left to lock it in place.

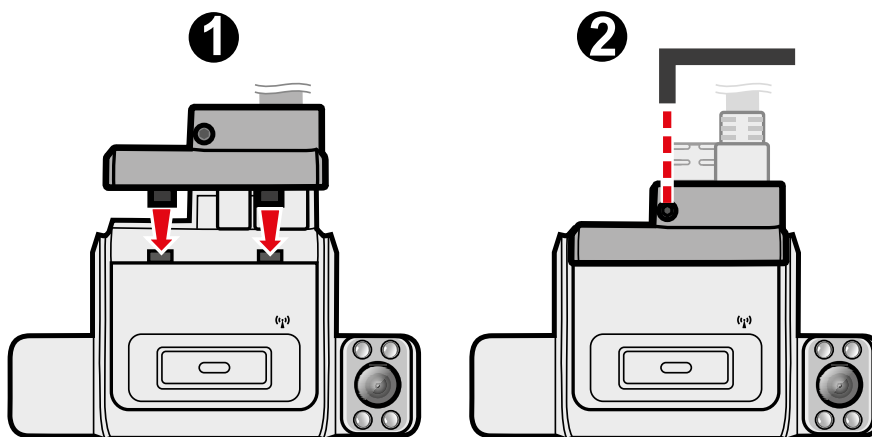


DEVICE INSTALLATION

3. Connect the main connector to the fleet cam.



4. Attach the top cover to the fleet cam and tighten the screw with an M2 hex key.

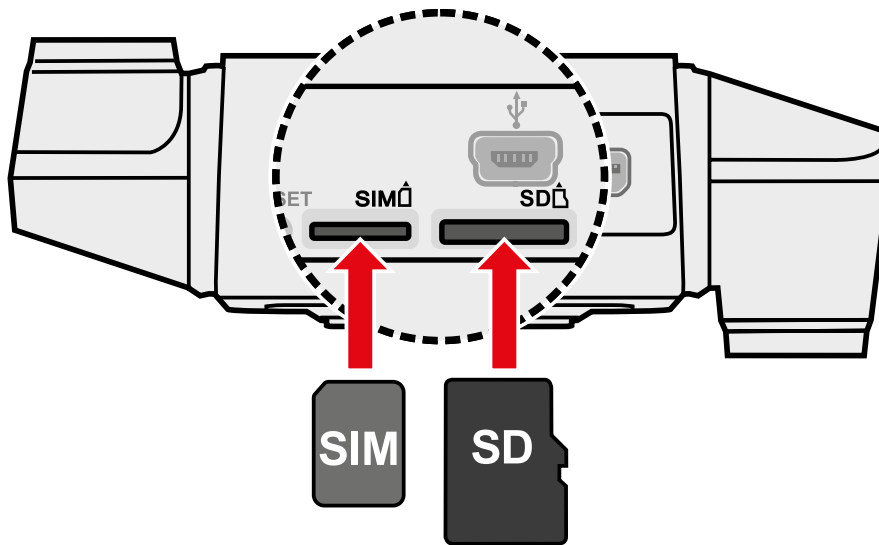


ADDITIONAL INFORMATION

A. MEMORY/SIM CARD

A MicroSD card and Nano SIM card will be provided with the camera, so the below steps should only be necessary for replacement of SD Cards, which are consumable items as they wear out after a certain number of read/write cycles.

A MicroSD card (up to 256GB in capacity) and a Nano SIM card must be inserted prior to mounting the fleet cam on windshield.



LED INDICATORS

BLUE FOR POWER/IGNITION | GREEN FOR NETWORK CONNECTION

HARDWARE RESET

Occasionally you may need to perform a hardware reset when the fleet cam stops responding. The top cover must be removed in order to access the device's reset button. Use a sharp object (such as a straightened paper clip) to press the reset button.



ADDITIONAL INFORMATION

IV.

CARE FOR YOUR DEVICE

- Taking good care of your device will ensure trouble-free operation and reduce the risk of damage.
- Keep your device away from excessive moisture and extreme temperatures.
- Avoid exposing your device to direct sunlight or strong ultraviolet light for extended periods of time.
- Do not place anything on top of your device or drop objects on your device.
- Do not drop your device or subject it to severe shock.
- Do not subject your device to sudden and severe temperature changes. This causes moisture condensation inside the unit which could damage your device. In the event of moisture condensation, allow the device to dry out completely before use.
- Never attempt to disassemble, repair, or modify your device. Disassembling, modifying or attempting to repair on your own may damage your device, inflict bodily harm or property damage and will void any warranty.
- Do not store or carry flammable liquids, gases or explosive materials in the same compartment as your device, its parts or accessories.
- Overheating may damage the device.

ABOUT GPS

- GPS (Freq=1575.42MHz) is operated by the United States government, who is solely responsible for the system's performance. Any change to the GPS system can affect the accuracy of all GPS equipment.
- GPS satellite signals cannot pass through solid materials (except glass). GPS positioning is unavailable when you are inside a tunnel or building. Signal reception can be affected by conditions such as poor weather or dense overhead obstacles (e.g. trees, tunnels, viaducts and tall buildings).
- GPS positioning data is for reference only.

ADDITIONAL INFORMATION

REGULATORY INFORMATION

For regulatory identification purposes, the device is assigned a model number of N664 / Dashcam.

FEDERAL COMMUNICATION COMMISSION INTERFERENCE STATEMENT

This device complies with Part 15 of the FCC Rules. Operation is subject to the following two conditions: (1) This device may not cause harmful interference, and (2) this device must accept any interference received, including interference that may cause undesired operation.

This equipment has been tested and found to comply with the limits for a Class B digital device, pursuant to Part 15 of the FCC Rules. These limits are designed to provide reasonable protection against harmful interference in a residential installation. This equipment generates, uses and can radiate radio frequency energy and, if not installed and used in accordance with the instructions, may cause harmful interference to radio communications. However, there is no guarantee that interference will not occur in a particular installation.

If this equipment does cause harmful interference to radio or television reception, which can be determined by turning the equipment off and on, the user is encouraged to try to correct the interference by one of the following measures:

- Reorient or relocate the receiving antenna.
- Increase the separation between the equipment and receiver.
- Connect the equipment into an outlet on a circuit different from that to which the receiver is connected.
- Consult the dealer or a radio/TV technician for help.

FCC Caution: Any changes or modifications not expressly approved by the party responsible for compliance could void the user's authority to operate this equipment. This transmitter must not be co-located or operating in conjunction with any other antenna or transmitter.

This device contains licence-exempt transmitter(s)/receiver(s) that comply with Innovation, Science and Economic Development Canada's licence-exempt RSS(s). Operation is subject to the following two conditions: (1) This device may not cause interference. (2) This device must accept any interference, including interference that may cause undesired operation of the device.

ADDITIONAL INFORMATION

REGULATORY INFORMATION

L'émetteur/récepteur exempt de licence contenu dans le présent appareil est conforme aux CNR d'Innovation, Sciences et Développement économique Canada applicables aux appareils radio exempts de licence. L'exploitation est autorisée aux deux conditions suivantes :

- 1) L'appareil ne doit pas produire de brouillage;
- 2) L'appareil doit accepter tout brouillage radioélectrique subi, même si le brouillage est susceptible d'en compromettre le fonctionnement.

This device has been tested and meets applicable limits for Radio Frequency (RF) exposure. This equipment should be installed and operated with minimum distance 30 cm between the radiator and your body.

DECLARATION OF CONFORMITY

Hereby, MiTAC declares that the N664 is in compliance with the essential requirements and other relevant provisions of Directive 2014/53/EU.

MAXIMUM POWER FOR EACH BAND

- LTE-FDD: B1/ B2/ B3/ B4/ B5/ B7/ B8/ B20/ B28 (25dBm)
- LTE-TDD: B38/ B39/ B40/ B41 (25dBm)
- WCDMA: B1/ B2/ B4/ B5/ B8 (25dBm)
- GSM/EDGE: 850/900/1800/1900MHz (32dBm)

ABOUT BT

- Max. power = 11dBm

WEEE



This product must not be disposed of as normal household waste, in accordance with the EU directive for waste electrical and electronic equipment (WEEE – 2012/19/EU). Instead, it should be disposed of by returning it to the point of sale, or to a municipal recycling collection point.



CONTACT

SureCam
support.surecam.com

NORTH AMERICA

support@surecam.com
1-855-870-7205

EUROPE

customerserviceuk@surecam.com
0845 7548 5447